

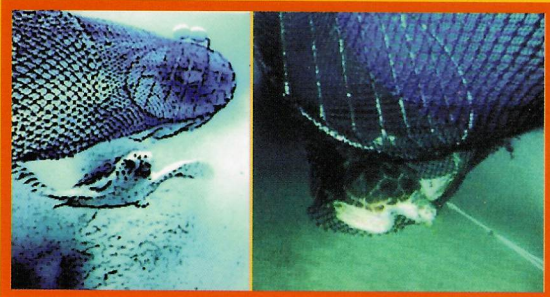
TURTLE EXCLUDER DEVICE for TRAWL

TURTLE EXCLUDER DEVICES (TEDS)

A modification to the trawl net that allow unwanted larger animals such as **sea turtle** to escape after being taken into the net.

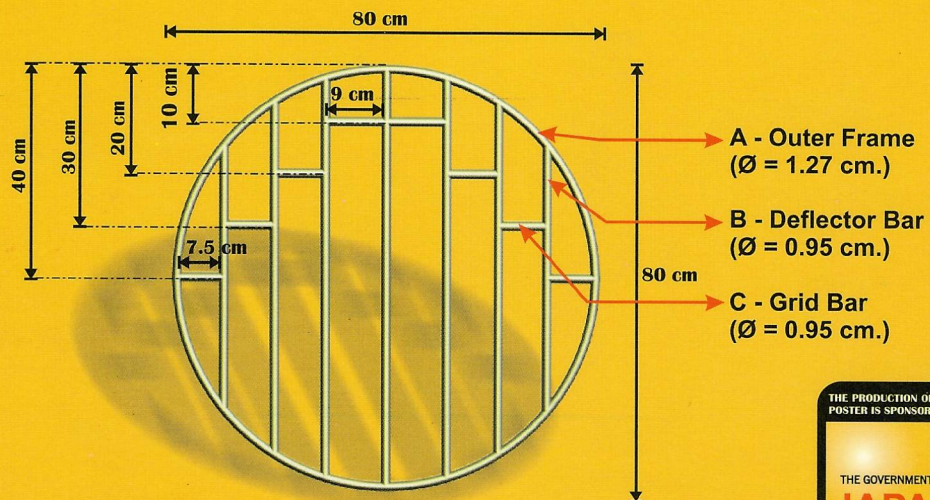


The Turtle Excluder Device or TED is a grid of bars with an opening either at the top or the bottom. The grid is fitted into the neck of a

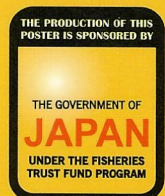


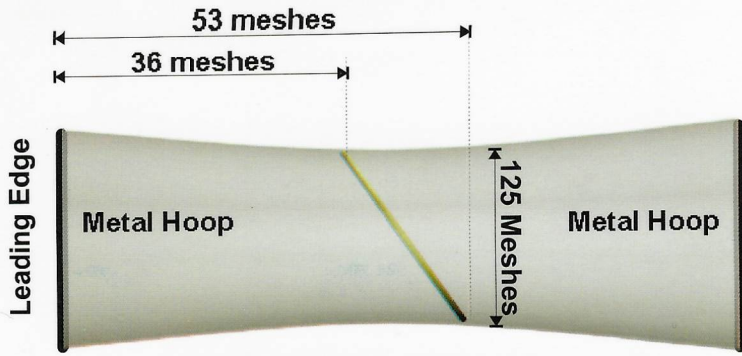
shrimp trawl. Small animals like shrimp slip through the bars and are caught in the bag end of the trawl. Large animals such as turtles and sharks, when caught at the mouth of the trawl, strike the grid bars and are ejected through the opening.

The TED is a metal grid of bars attached to a shrimp trawling net.

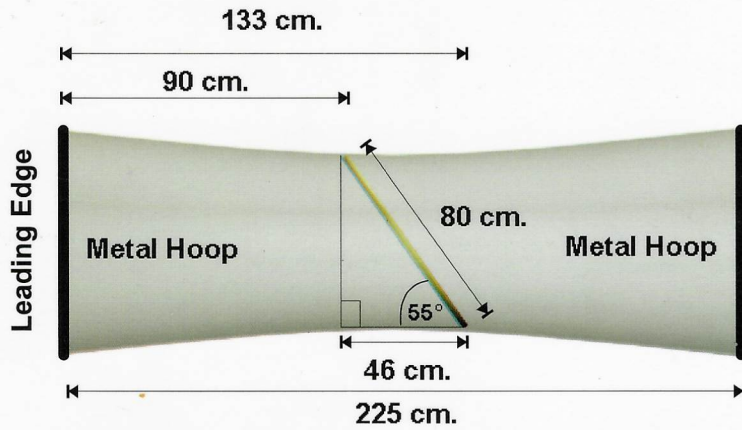


SOUTHEAST ASIAN FISHERIES DEVELOPMENT CENTER





Attaching the Frame to the Extension



Dimensions for the Frame and Extension Combined

Note : $\cos \theta = \frac{46 \text{ cm.}}{80 \text{ cm.}} = 55$

TEDs are usually fitted into a trawl net at the beginning of the codend. At this point in the net, water-flow is fastest and maximises the ability of a TED to separate target animals, such as prawns and scallops, from non-target animals, such as sea turtles.

Figure Illustrated How a Bycatch Reduction Device Works

